

ELMARK[®]

The Brand of Electricity

LED FLOODLIGHT

VEGA SLIM



GENERAL INFORMATION »

- ∴ Rated voltage: 220-240V/ 50-60Hz
- ∴ Power: 10W; 20W; 30W; 50W; 100W; 150W; 200W
- ∴ LED driver: Linear- mounting in the body
- ∴ Colour temperature: 5500K
- ∴ Light source: SANAN
- ∴ Colour: Black
- ∴ Body: Plastic+ Aluminium
- ∴ Cable length: 300mm
- ∴ Beam angle: 110°
- ∴ Colour rendering index: Ra > 70
- ∴ Average lifetime: 20 000h
- ∴ Ambient temperature: -30°C ÷ +65°C
- ∴ Protection against dust and moisture: IP65
- ∴ Available in variant with an emergency kit

FEATURES »

- ∴ Efficient replacement of traditional halogen and metal-halide floodlights
- ∴ Wide distribution of even and stable light
- ∴ Economic - low power consumption
- ∴ Repeated switch on/off does not affect the fixture lifespan
- ∴ Instant light at maximum luminous flux
- ∴ Environmentally friendly - no mercury and lead
- ∴ No ultraviolet and infrared rays
- ∴ Resistant to shock and vibration stable body
- ∴ Voltage supply fluctuations do not affect the normal operation of the floodlights

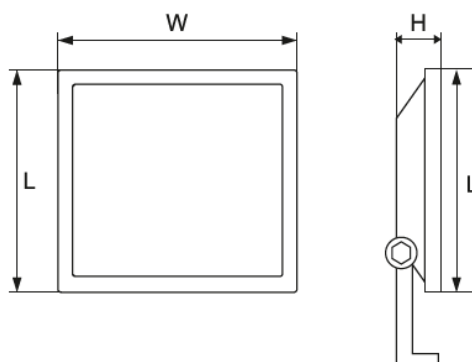
APPLICATION »

- ∴ Sports halls
- ∴ Commercial areas
- ∴ Warehouses
- ∴ Production facilities
- ∴ Squares
- ∴ Parking lots

PRODUCT DETAILS »

Catalogue number	Catalogue number with Emergency kit	Watt (W)	Whole fixture lumens (lm)	Colour temp (K)	Colour body
98VEGA10SLIM	-	10	900	5500	black
98VEGA20SLIM	-	20	1800	5500	black
98VEGA30SLIM	98VEGA30SLIME	30	2700	5500	black
98VEGA50SLIM	98VEGA50SLIME	50	4500	5500	black
98VEGA100SLIM	98VEGA100SLIME	100	9000	5500	black
98VEGA150SLIM	-	150	15000	5500	black
98VEGA200SLIM	-	200	20000	5500	black

DIMENSIONS »



Model	Length (mm)	Height (mm)	Width (mm)
98VEGA10SLIM	66	18	90
98VEGA20SLIM	75	21	110
98VEGA30SLIM	95	22	130
98VEGA50SLIM	132	25	186
98VEGA100SLIM	190	28	280
98VEGA150SLIM	226	35	315
98VEGA200SLIM	320	85	400

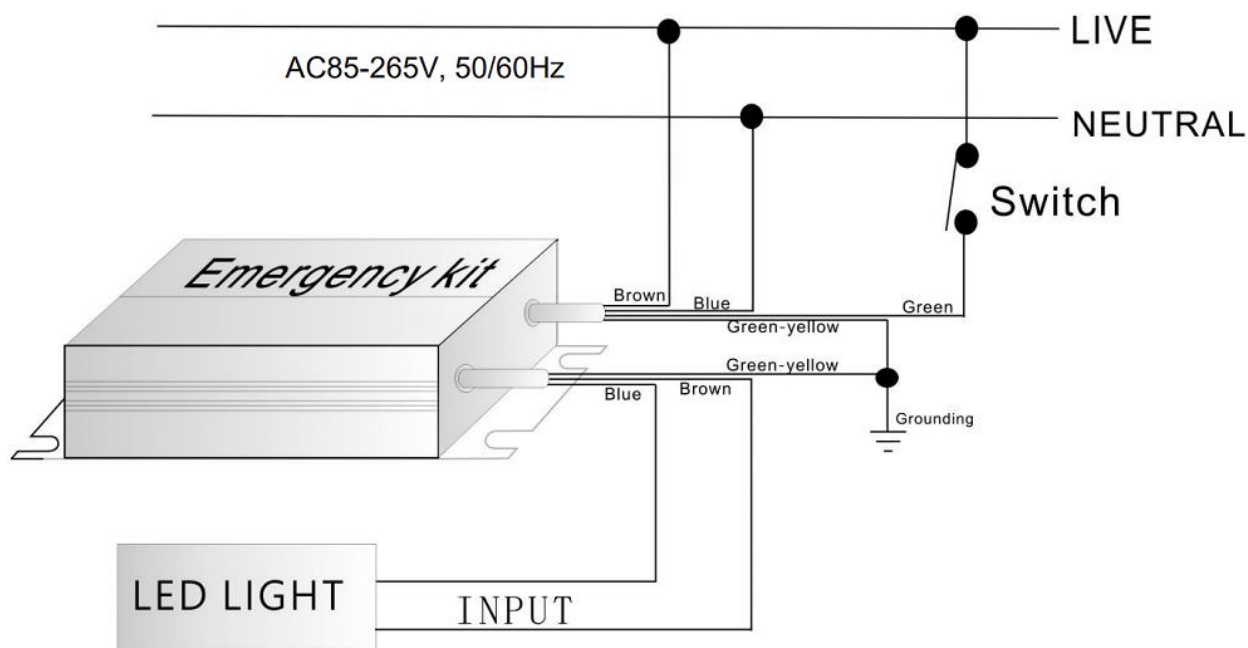
EMERGENCY DRIVER SPECIFICATIONS »



Technical data:

- ∴ Input voltage: 85-265V AC
- ∴ Battery: 18.5V 8800mAh
- ∴ Emergency switch time: <5s
- ∴ Suitable: for LED lamp with internal driver and power 20-100W
- ∴ Emergency time: 60-120min
- ∴ Working temperature: from -10 to +50°C
- ∴ Size: 290x105x50mm
- ∴ IP44

Wiring diagram:



INSTALLATION ACCESSORIES »

Terminal box IP44

- ∴ Material: PC
- ∴ Voltage: 450V
- ∴ Rated current: 6A
- ∴ Wiring Capacity: 0.5-4.0mm²
- ∴ Cat. Number: **31071**



Terminal box IP65

- ∴ Material: Polypropylene 94-V2 grade
- ∴ Sunscreen Rating: Sun Protection(UV)
- ∴ Voltage: 450V
- ∴ Rated current: 10A
- ∴ Terminal Blocks: 3p screw type
- ∴ Metal Part: Plated Brass/Steel Spring
- ∴ Wiring Capacity: 0.5-2.5mm²
- ∴ Cat. Number: **31070**




Cable connector IP68


- ∴ Rated operational voltage:AC250V
- ∴ Rated operational Ampere(A):≤30A
- ∴ Material: flame retardant/Anti UV nylon(PA66)
- ∴ Crimping terminals: Nickle-plated brass
- ∴ Withstand voltage (normal temperature):3KV
- ∴ Operating temperature range: -40°C~+105°C
- ∴ Wiring Capacity: 0.5-2.5mm²
- ∴ Cat. Number: **31072**



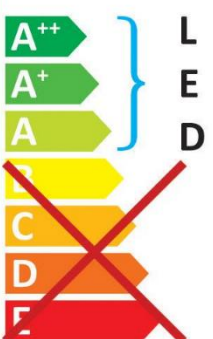
ADDITIONAL INFORMATION »



98VEGA10SLIM




This luminaire contains built-in LED lamps.



L
E
D

The lamps cannot be changed in the luminaire.

874/2012



Catalogue number	Barcode	Packing/Box (pcs)
98VEGA10SLIM	3800131195395	1/40
98VEGA20SLIM	3800131195401	1/40
98VEGA30SLIM	3800131195418	1/20
98VEGA50SLIM	3800131195425	1/20
98VEGA100SLIM	3800131208880	1/10
98VEGA150SLIM	3800131208255	1/1
98VEGA200SLIM	3800131208262	1/1

